

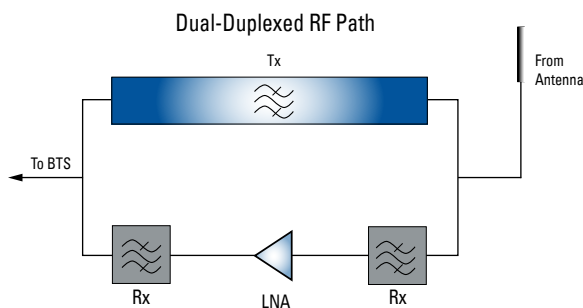


Receive Channel

AWS Full-Band	
Rx Passband	1710 - 1755 MHz
Noise Figure	0.8 dB
Gain	13 dB
VSWR	1.5:1
OIP3	+28 dBm
Tx Rejection	75 dB

(Numbers Represent Typical Performance)

Architecture



Features & Benefits:

- > Integrated dual-duplexed receiver front-end in an outdoor enclosure
- > Increased sensitivity from a convenient ground-based package
- > Reduction in dropped and blocked calls
- > Increased capacity utilization, improved coverage, and higher data throughput
- > Modular 3-pack design - *two systems required per sectorized site*
- > Redundant architecture for Main/Diversity paths

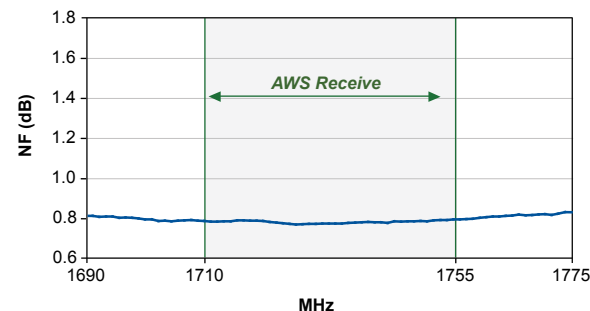
Mechanical/Environmental

Characteristics	Typical Performance
Power	VDC (+24 or -48 V) input, 30 Watts (max) Two 5-amp breakers or fuses
Weight	32 lbs per module - 64 lbs total
Size	12"W x 9"D x 14"H
BTS Antenna Connectors	Weatherized 7/16 DIN-female
Ambient Temperature	-30° C to +55° C
Enclosure Environment	NEMA 4X - corrosion and humidity IP66 - Ingress
Mounting	Ground-based: shelf, pad, or pole-mounted
Lightning Protection	Shorted stubs on antenna and BTS ports Internal protection for alarm and DC paths
Reliability Features	Redundant architecture protects all sectors against outages
Alarming	Dual Form C contacts for major and minor fault diagnosis

Transmit Channel

Characteristics	Typical Performance
Tx Passband	2110 - 2155 MHz
Tx Insertion Loss	0.3 dB
Passband VSWR	1.2:1
Tx Power Handling	300 Watts CW / 3.0 kW peak pulse

Typical Noise Figure Performance



Lowest noise figure available without HTS